



[Homepage](#) > [Products](#) > [RFID Antennas](#) > [865-870 MHz Reader Antennas](#) > **Circular Antennas**

## CIRCULAR ANTENNAS

MT - 242062/CLH

865-870 MHZ & 902-928 MHZ 7.5DBIC LHCP SLIM READER ANTENNA



### ELECTRICAL

REGULATORY COMPLIANCE	RoHS, CE 0682
FREQUENCY RANGE	865-870 & 902-928 MHz
GAIN	8.0 ± 1.0 dBic
VSWR	1.5 :1 (typ) , 2 : 1(max)
POLARIZATION	LHCP
3dB ELEVATION BEAMWIDTH	40° (typ)
3dB AZIMUTH BEAMWIDTH	65° (typ)
F/B RATIO	-18 dB (typ)
POWER	6W (max)
INPUT IMPEDANCE	50 (ohm)
AXIAL RATIO	2 dB (typ) , 4 dB (max)
LIGHTNING PROTECTION	DC Grounded

### MECHANICAL

DIMENSIONS (LxWxD)	480 x 310 x 16 mm (max)
CONNECTOR	SMA Female with cable (length 300 mm)
WEIGHT	1.1 kg (max)
RADOME MATERIAL	Plastic
MTBF	80000 hours
BASE PLATE MATERIAL	Metallic
OUTLINE DRAWING	RD43349400C

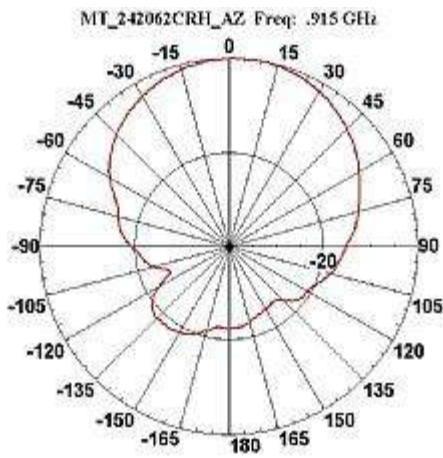
[ADD TO COMPARE PAGE](#)    [TO COMPARE PAGE](#)

### ENVIRONMENTAL

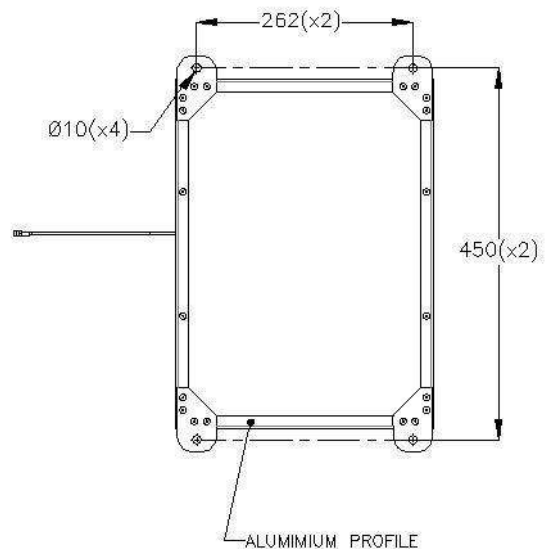
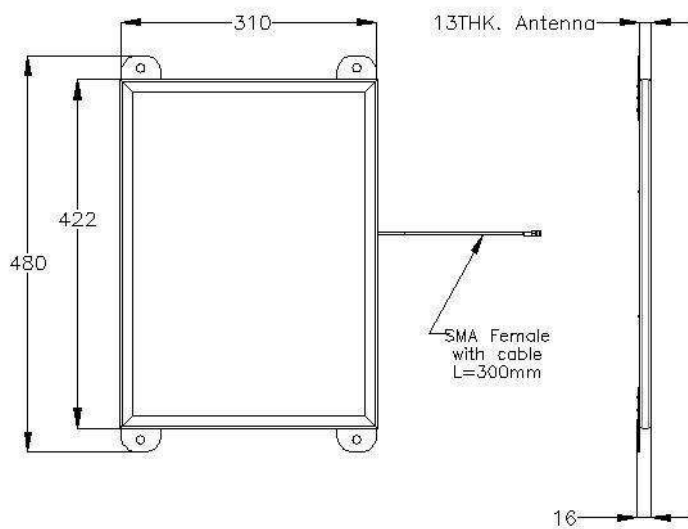
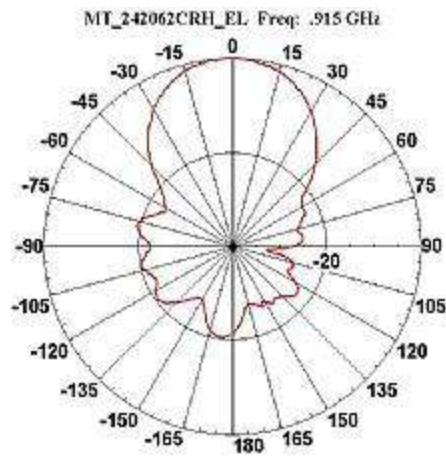
TEST	STANDARD	DURATION	TEMPERATURE	NOTES
LOW TEMPERATURE	IEC 68-2-1	72 h	-40°C	
HIGH TEMPERATURE	IEC 68-2-1	72 h	+71°C	

TEMP. CYCLING	IEC 68-2-14	1 h	-45°C +70°C	3 Cycles
HUMIDITY	ETSI EN300-2-4 T4.1E	144 h		95%
WATER TIGHTNESS	IEC 529			IP54
FLAMMABILITY	UL 94			Class HB
VIBRATION	IEC 60721-3-4	30 min/axis		Random 4M3
MECHANICAL SHOCK	IEC 60721-3-4			4M3
OPERATION TEMPERATURE	-10 °C to 50°C			
STORAGE TEMPERATURE	-30°C to +70°C			

**AZIMUTH RADIATION PATTERN MIDBAND  
FREQ. 0.915 GHZ**



**ELEVATION RADIATION PATTERN MIDBAND  
FREQ. 0.915 GHZ**



**WAIVER!**

While the information contained in this document has been carefully compiled to the best of our present knowledge, it is not intended as presentation or warranty of any kind on our part regarding the fitness of the products concerned for any particular use or purpose and neither shall any statement contained herein be construed as a recommendation to infringe any industrial property rights or as a license to use any such rights. The fitness of each product for any particular purpose must be checked beforehand with our specialists.