



## Omni-ID® Ultra

Omni-ID Ultra is a globally compliant, passive UHF tag with extreme read ranges of up to 35m, on, off or near metals and liquids. Designed for heavy industry and outdoor applications, Omni-ID Ultra features a high impact, water proof, durable encasement. Omni-ID Ultra is an excellent choice for tracking large assets in open storage environments, without the concern of a battery.

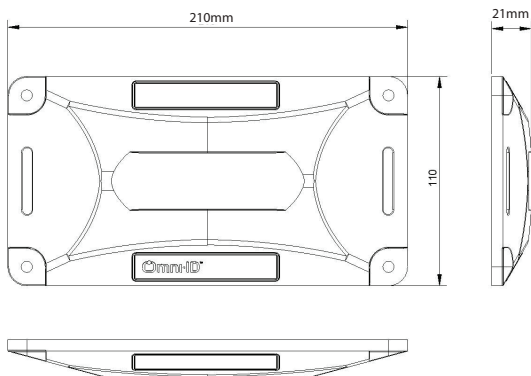
## Applications

With its breakthrough RF performance, the Ultra RFID tag provides a cost-effective solution for applications which previously required semi-passive or active tags including:

- ▶ Cargo and Container tracking.
- ▶ Heavy equipment tracking and maintenance.
- ▶ Location identification in lay down zones.

## Physical Specifications

Encasement	ABS or Polycarbonate
Size (mm) (tolerance)	210 x 110 x 21.0 (+/- 1 mm)
Size (in) (tolerance)	8.27 x 4.33 x 0.82 (+/- 0.04 in)
Weight (g)	265.0 (ABS) 292.0 (PC)



Dimensions stated in mm

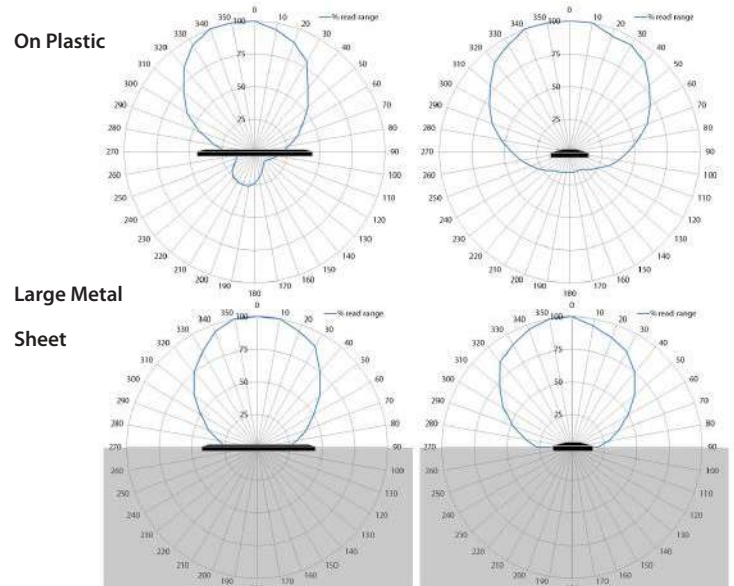
## RF Specifications

Protocol	EPC Class 1 Gen2
Frequency Range (MHz)	860–960 (global)
Read Range (Fixed reader) <sup>1</sup>	Up to 35.0 (global)
Read Range (Handheld reader) <sup>1</sup>	Up to 20.0 (global)
Material Compatibility	Metal and non-metallic substrates
IC Type (chip)	Alien H3
Memory <sup>2</sup>	EPC - 96bits User - 512bits TID - 64bits

1. Quoted performance achieved using standard testing methodology. Read range will vary with reader hardware and output power.

2. EPC and User memory are reprogrammable, TID is locked at point of manufacture.

## Radiation Patterns



## Related Products and Services

- ▶ **Omni-ID Max HD** - Long range, high durability RFID tag product for heavy industry applications involving metal.
- ▶ **Omni-ID Max SQ-D**- Extreme durability, long range and global operability in a small, square footprint, on metal RFID tag.
- ▶ **Omni-ID IQ 800P**- Large premium label for plastic assets.
- ▶ **Service Bureau** - Omni-ID offers a full service bureau for printing and pre-encoding Omni-ID tags at point of manufacture.



## Environmental Specification

Operating Temperature	ABS: -40 to +65 °C PC: -40 to +100 °C
Long term Max Temperature <sup>1</sup> exposure - (days,weeks,years)	ABS: +65 °C PC: +100 °C
Short term Max Temperature <sup>1</sup> exposure - (minutes,hours)	ABS: +75 °C PC: +120 °C
IP Rating	IP68
Shock and Vibration	MIL STD 810-F
Impact	>25kg from 1m
Attachment	Manual (standard) Standard foam adhesive (option) Premium foam adhesive (option)
Certifications	RoHS approved CE approved ATEX/IECEX certified (option) US&Canada (C1D1/D2) certified (option)
Warranty	3 years

1. Excludes adhesive options, consult adhesive data sheets for recommended temperature ratings.

## Ordering Information

Order Numbers	009 - GS :302 (PC encasement) :304 (ATEX/IECEX certified) :307 (US&Canada (C1D1/D2) certified) :507 (std. foam), :508 (premium foam) :701 (Standard Service Bureau) :702 (Custom Service Bureau)
---------------	---

For more information, contact:

**Omni-ID Corporate Headquarters:**  
1200 Ridgeway Ave  
Rochester, NY 14615 USA

**European Office:**  
The Enterprise Centre  
Coxbridge Business Park  
Alton Road, Farnham, Surrey  
GU10 5EH, United Kingdom

**Asia Office:**  
Process Export zone  
East of Road No.4 and South of Road No.2  
Chengyang District  
Qingdao  
266113, P.R. China

**For product or technology inquiries:**  
Email [customer.services@omni-id.com](mailto:customer.services@omni-id.com)

032012

